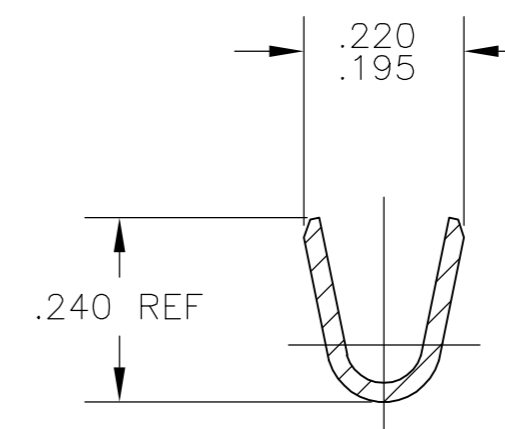
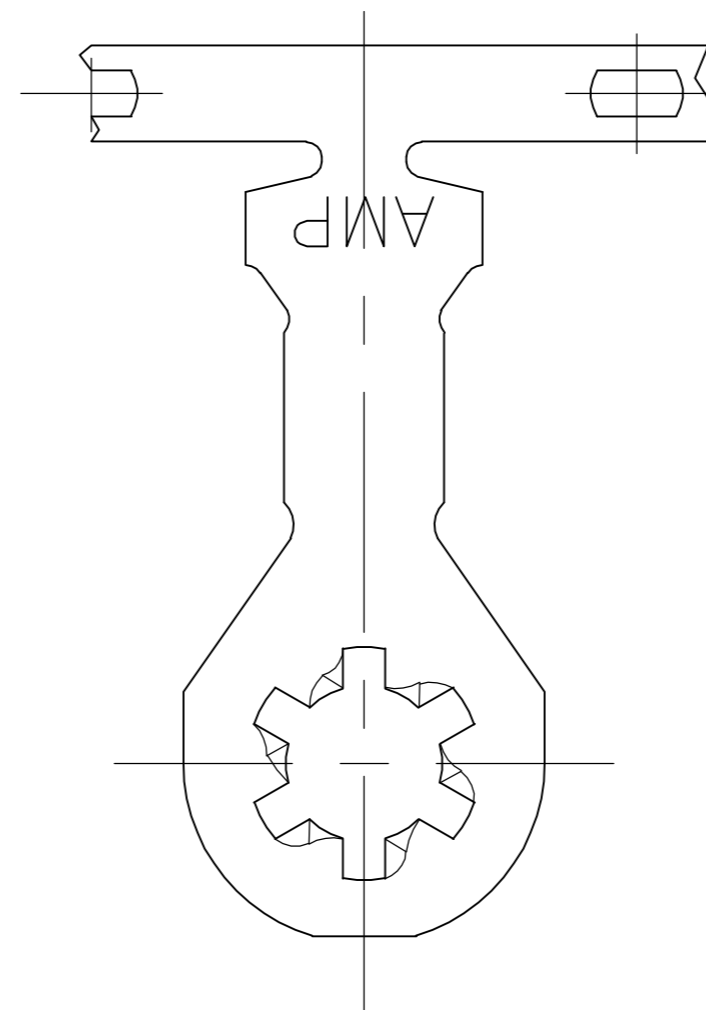
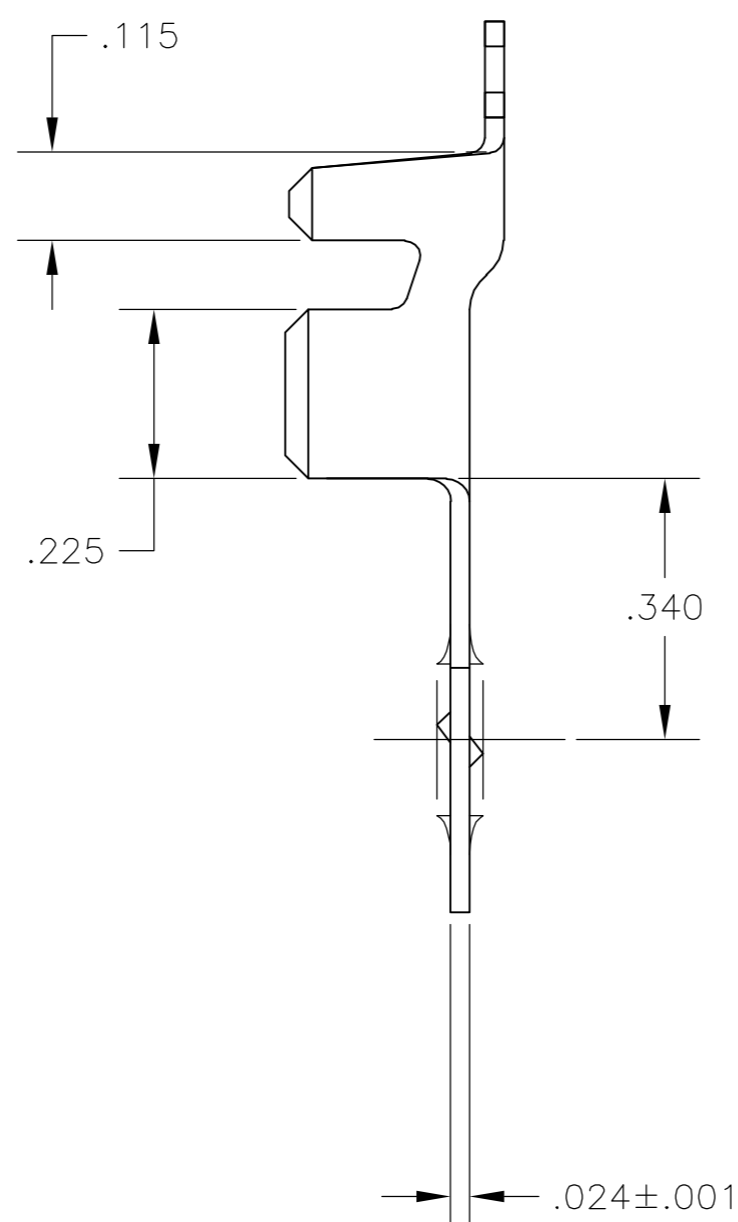
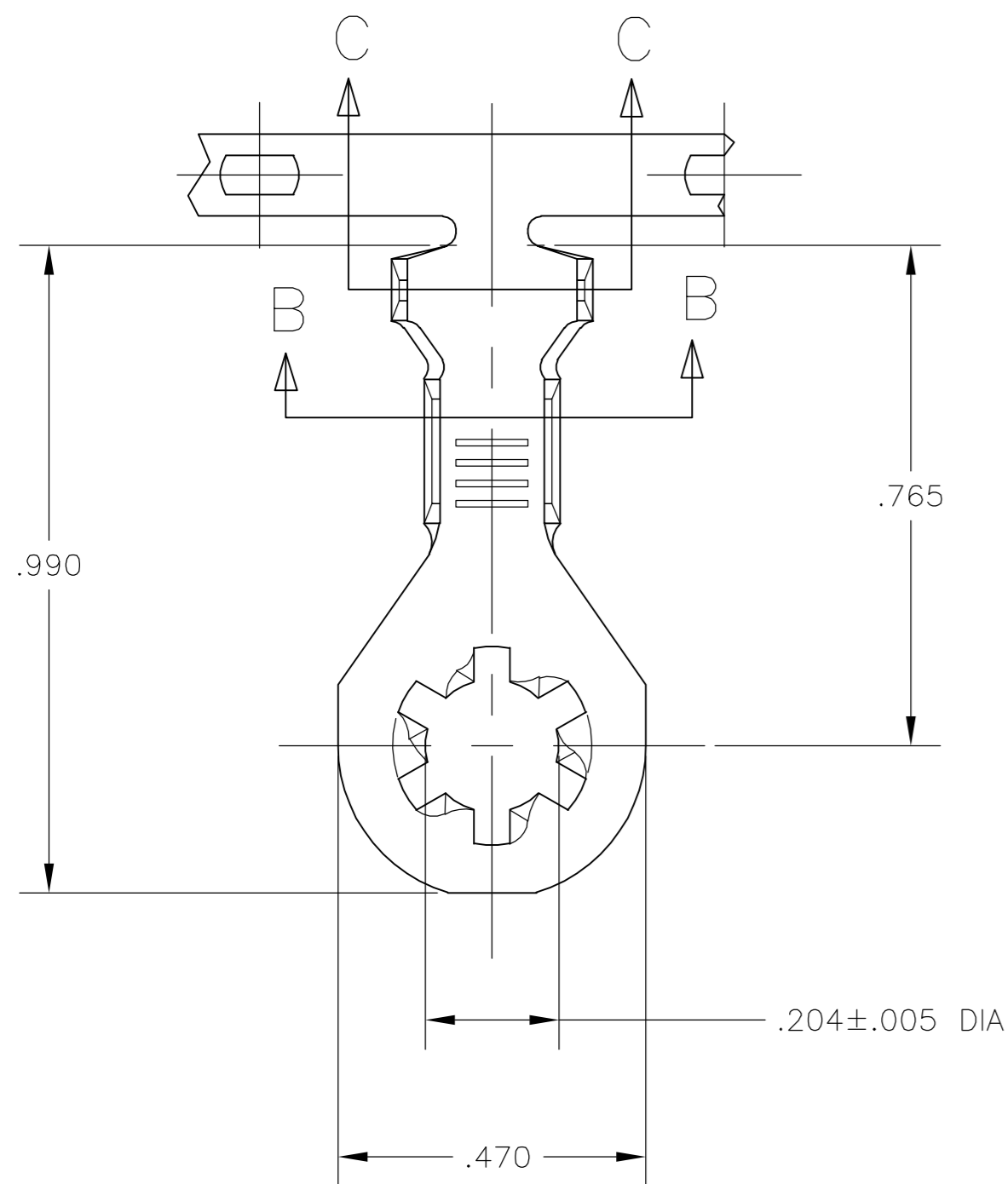


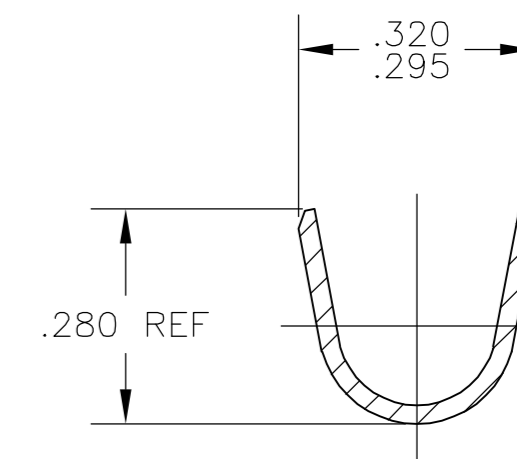
THIS DRAWING IS UNPUBLISHED. RELEASED FOR PUBLICATION
 © COPYRIGHT BY TYCO ELECTRONICS CORPORATION. ALL RIGHTS RESERVED.

LOC	DIST	REVISIONS			
P	LTR	DESCRIPTION	DATE	DWN	APVD
AF	50	E	REVISED PER OG3A-0923-04	30NOV04	MF DD

- CONTINUOUS STRIP ON REELS.
- WIRE RANGE: #12-#10 AWG, INSULATION RANGE: .125-.220 DIA.



SECTION B-B



SECTION C-C

-	-	-
.000080 MIN TIN PLATE	H04 COPPER	62613-3
.000080 MIN TIN PLATE	TEMP 2 COLD ROLLED STEEL	62613-2
OBSOLETE	ANNEALED STAINLESS STEEL	62613-1
FINISH	MATERIAL	PART NUMBER

THIS DRAWING IS A CONTROLLED DOCUMENT.		DWN MICHAEL S. FEHER 17NOV2004	Tyco Electronics Corporation Harrisburg, Pa 17105-3608	
DIMENSIONS: INCHES 		CHK DONALD F. DECKER 30NOV2004	NAME RING, ANTIROTATIONAL, 10 STUD SIZE	
TOLERANCES UNLESS OTHERWISE SPECIFIED: 0 PLC ± - 1 PLC ± - 2 PLC ± - 3 PLC ± .010 4 PLC ± - ANGLES ± - FINISH SEE TABLE		APVD DONALD F. DECKER 30NOV2004	PRODUCT SPEC -	RESTRICTED TO -
MATERIAL SEE TABLE		APPLICATION SPEC -	WEIGHT -	SIZE A2
CUSTOMER DRAWING		SCALE 5:1	CAGE CODE 00779	DRAWING NO C=62613
		SHEET 1	OF 1	REV E